



# SPOA30/SPOA40/SPO40 E & M Series

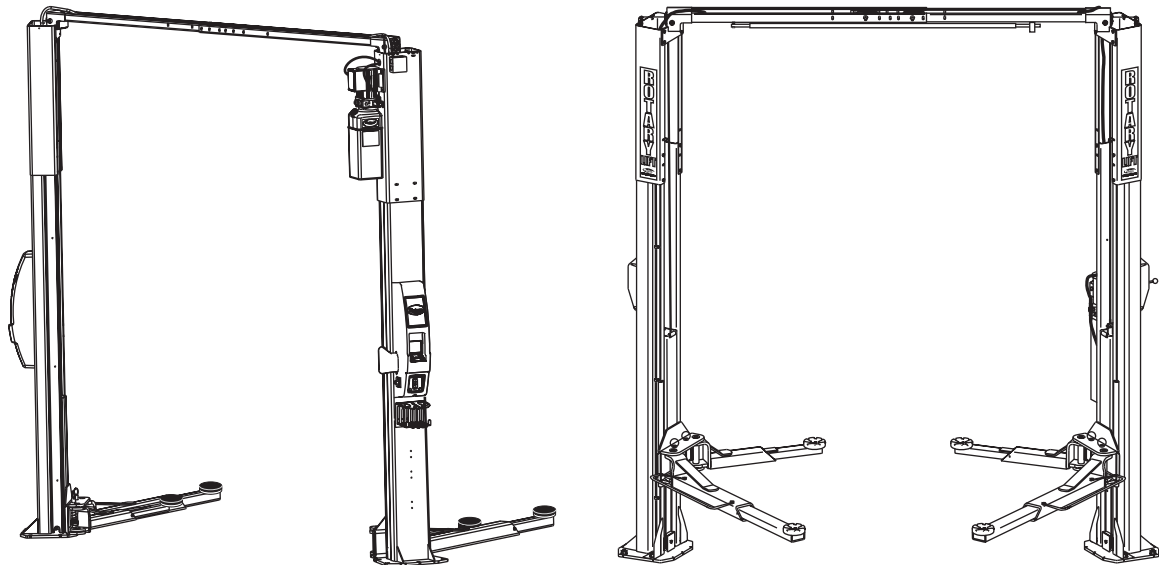
(600 Series)

**Two Post Surface Mounted Lifts**

SPOA30 Series Capacity: 3,100kg (775 kg per arm)

SPOA40 Series Capacity: 4,000kg (1,000kg per arm)

SPO40 Series Capacity: 4,000kg (1,000kg per arm)



**P  
A  
R  
T  
S  
  
B  
R  
E  
A  
K  
D  
O  
W  
N**

**IMPORTANT:** When ordering parts or requesting service always give exact model and power unit serial number. Model number is shown on nameplate attached to power unit column. Power unit serial number is located on side of power unit.

**OWNERS RECORD**  
Complete information  
at right and keep in  
a safe place.

Date Installed \_\_\_\_\_

Installed in Bay # \_\_\_\_\_

Power Unit Serial # \_\_\_\_\_

Power Unit Model # \_\_\_\_\_

Lift Serial # \_\_\_\_\_

Lift Model # \_\_\_\_\_

**NOTE:** For replacement parts -See your nearest Rotary Parts Distributor.

**PB 2-32-30**

Rev. -- 10/13/2005

## M SERIES PARTS LIST

1	L.H. Column .....	N752		39	Equalizer Cables	
2	R.H. Column.....	N755			SPOA30 .....	N384
3	Column Extension				SPOA30 EH-1 MODEL .....	N385
	Standard Height.....	N470			SPOA30 EH-2 MODEL .....	N386
	EH-1 MODEL .....	N471			SPOA40 .....	N372
	EH-2 MODEL .....	N472			SPOA40 EH-1 MODEL .....	N378
	EH-4 MODEL (SPO40 only) .....	N474			SPOA40 EH-2 MODEL .....	N373
4	Carriage Yoke.....	N822			SPO40 .....	N374
5	Arm Pin .....	N2154			SPO40 EH-1 MODEL .....	N379
6	3/8" -16NC x 3/4" Long Carriage Bolts .....	N/A			SPO40 EH-2 MODEL .....	N375
7	71" Hydraulic Cylinder .....	N382			SPO40 EH-4 MODEL .....	N376
*8	Power Unit			40	Carriage Bumper.....	FA950
	1Ø (SPOA30) (F model).....	*P1453		41	Locking Latch Cable .....	FJ7595-1
	1Ø (SPOA40/SPO40) (F model).....	*P1456			SPO40 EH-4 Model .....	FJ7600
	3Ø (SPOA30) (D model).....	*P1454		42	Cable Guide.....	N618
	3Ø (SPOA40/SPO40) (D model).....	*P1047		43	3/8" -16NC Flanged Locknut.....	40664
	3Ø (SPOA30) (T model) .....	*P1455		44	Sheave Shaft .....	FJ7444-8
	3Ø (SPOA40/SPO40) (T model) .....	*P1457		45	1/4" -20NC x 3/4" HHCS Grade 5 .....	40104
9	Power Unit Hose .....	FJ837		46	Cable End Bracket .....	N619
10	5/16" -18NC x 1-1/2" HHCS .....	40238		47	Hose Clip .....	N383
11	5/16" External Tooth Lock Washer .....	40854		48	Front Shim .....	FJ7659-3
12	5/16" -18NC Hex Nut.....	40670		49	Horse Shoe Shim .....	FJ716-6
13	Actuator Pin Handle .....	FJ7985-1		50	Tee .....	FJ7668
14	Actuator Pin .....	N121-1		51	N/A .....	N/A
15	Retaining Ring .....	N119-3		52	Photosensor Plug.....	FA5930-2
16	Arm Restraint Spring.....	FJ7656-2		53	1/4" -20NC Flanged Locknut.....	40641
17	Strain Relief (1Ø Only) .....	P1164-4		54	Spacer .....	FJ7871
18	Carriage Bumper (152mm Lg.) .....	FA941		55	Limit Switch Assembly .....	N412
19	Arm Restraint Pawl.....	N2121		56	1/4" External Tooth Lock Washer .....	40779
20	Approach Bumper (457mm Lg.) .....	FJ7391-1		57	3/8" External Tooth Lock Washer .....	40845
21	5/8" -11NC Hex Nylon Insert Lock Nut .....	40780		58	1-1/2" Lg. Spring Pin .....	14427
22	Truarc #5304-75 Klipring for 3/4" Shaft.....	41411		59	1/4" -20NC x 1" HHCS Grade 5 .....	40108
23	Sheave .....	N377		60	Left Toe Guard .....	N137-1
24	1/4" -20NC Hex Nut.....	40627		61	Right Toe Guard.....	N138-1
25	Sheave Cover .....	N119-1		62	Limit Switch .....	N411-1
26	1/4" -20NC x 3/8" Lg. PHMS Plated (2 pcs.).....	40063		63	Push Nut.....	FC5209
27	Slider Block.....	FJ7360		64	L.H. Overhead (Outer).....	N480-1
28	20mm Concrete Anchor (10 req'd)W140210			65	R.H. Overhead (Inner).....	N481-1
29	1-1/2" O.D. x .760-.770" I.D. x .045" Thk. Mach. Bushing.....	41388		66	Bleeder Screw .....	N/A
30	1/4" -20NC x 2-3/4" Hex Head Bolt.....	40114		67	Adapter Plate.....	FA7926
31	1/4" -20NC Nylon Insert Locknut.....	41423		68	5/16-18NC x 1/2" Socket Flat Head MS .....	40375
32	1/4" Type A Plain Flat Washer			69	Control Panel	
33	Switch Bar Assembly				1Ø .....	FA7928
	SPOA30 .....	N415			3Ø .....	FA7927
	SPOA40/SPO40 .....	N467		70	#8-32NC x 3/8" Lg. Hex SHCS.....	40087
34	Spotting Wheel Dish Kit.....	FF729		71	Overhead Mounting Bracket .....	N439
35	N/A .....	N/A				
36	3/8" -16NC x 3/4" Long Flanged HHCS .....	40134				
37	Slider Block Shim.....	N115				
38	Overhead Hose					
	SPOA30 .....	FJ839				
	SPOA30 EH-1 MODEL .....	FJ842				
	SPOA30 EH-2 MODEL .....	FJ843				
	SPOA40 and SPO40.....	FJ839				
	SPOA40 and SPO40 EH-1 MODEL.....	FJ842				
	SPOA40 and SPO40 EH-2 MODEL.....	FJ843				
	SPO40 EH-4 MODEL .....	FJ845				

### \*Notes: F, D, or T Model?

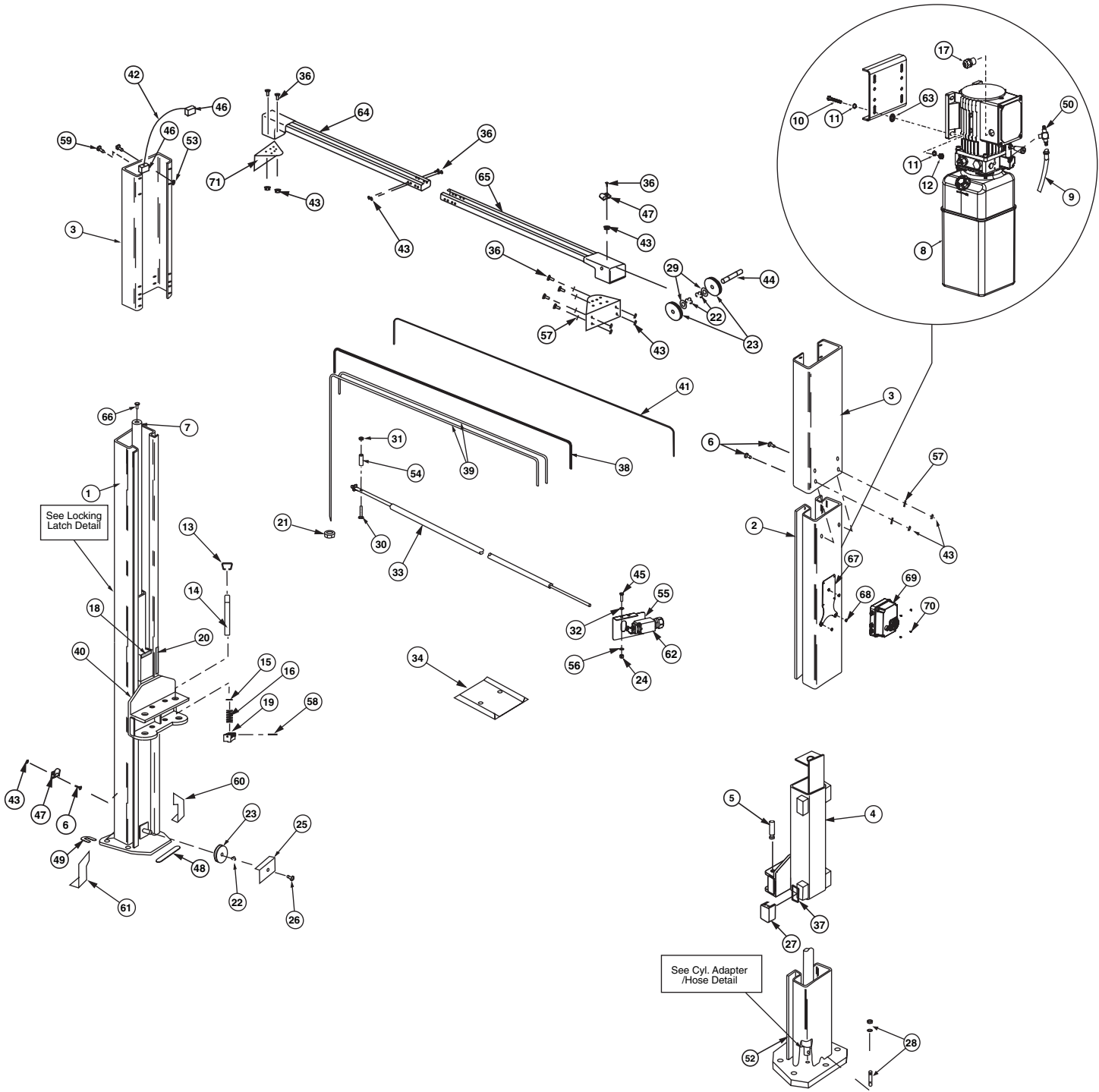
To find out if you have a **F, D, or T** model Power Unit look at the **4th letter from the end** of your lift model number.

EXAMPLE: SPOA30**M**D585 would be a **D Model**.

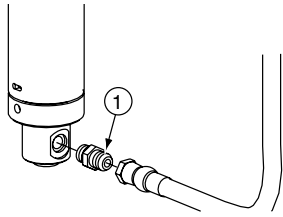


Model number can be found on a tag on the side of the lift.

# M SERIES PARTS LIST

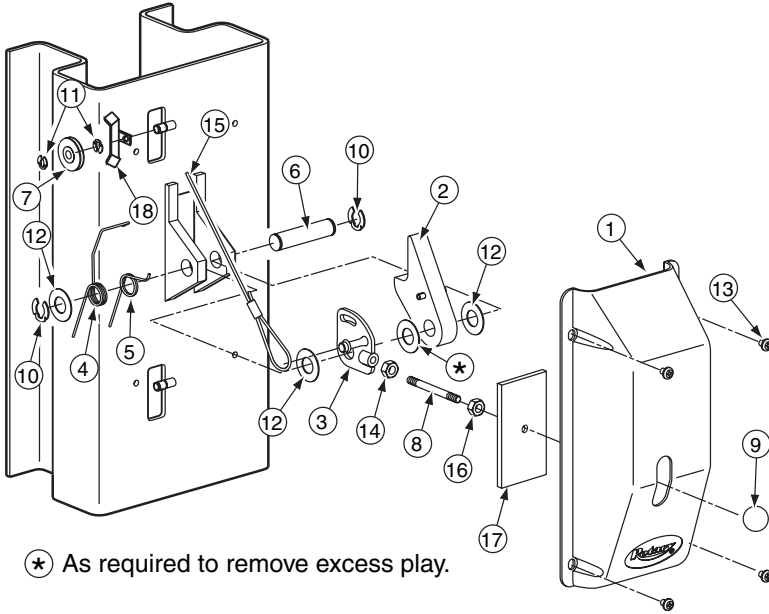


# M SERIES PARTS LIST



## CYLINDER ADAPTER/HOSE DETAIL PARTS LIST

Item	Description	Part No.
1	Straight Adapter.....	FJ7352-3

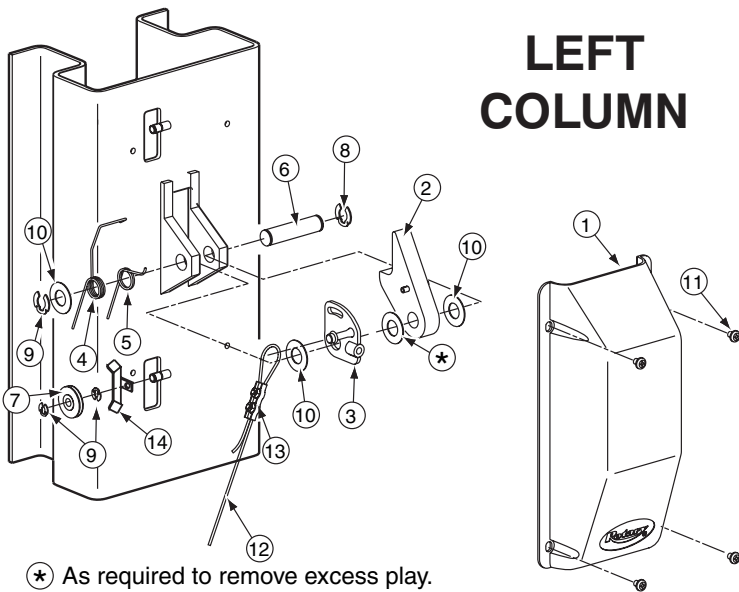


⊛ As required to remove excess play.

## RIGHT COLUMN

## LOCKING LATCH DETAIL PARTS LIST

Item	Description	Part No.	
1	Control Side Cover .....	FJ7452	
2	Locking Latch Dog .....	N616	
3	Control Plate .....	FJ7594-2	
4	Spring .....	FJ7566-10	
5	Spring .....	FJ7382-9	
6	Latch Shaft .....	FJ7382-34	
7	Locking Latch Sheave .....	FJ7322	
8	Handle .....	FJ7382-18	
9	Ball Handle .....	FC134-91	
10	Truarc Klipping #5304-75 (for 3/4" Shaft) .....	41411	
11	Truarc Klipping #5304-37 (for 3/8" Shaft) .....	41410	
12	1-1/2" O.D. x 3/4" I.D. x .045" Mach. Bush.....	41388	
13	5/16"-18NC x 3/8" Lg. BHCS (Allen Socket) .....	N/A	
14	3/8" - 16NC Hex Jam Nut .....	40658	
15	Locking Latch Cable .....	FJ7595-1 EH-4 for SPO40 .....	FJ7600
16	1/2"-13NC Jam Nut (Spacer) .....	40700	
17	Slot Cover.....	N617	
18	Latch Sheave Cover .....	N64	



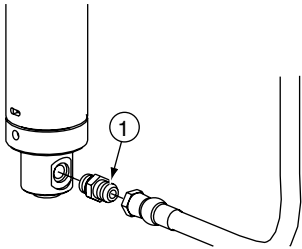
⊛ As required to remove excess play.

## LEFT COLUMN

## LOCKING LATCH DETAIL PARTS LIST

Item	Description	Part No.	
1	Latch Cover .....	FJ7451	
2	Locking Latch Dog.....	N616	
3	Control Plate.....	FJ7594-2	
4	Spring .....	FJ7566-10	
5	Spring .....	FJ7382-9	
6	Latch Shaft .....	FJ7382-34	
7	Locking Latch Sheave .....	FJ7322	
8	Truarc Klipping #5304-75 (for 3/4" Shaft) .....	41411	
9	Truarc Klipping #5304-37 (for 3/8" Shaft) .....	41410	
10	1-1/2" O.D. x 3/4" I.D. x .045" Mach. Bush.....	41388	
11	5/16"-18NC x 3/8" Lg. BHCS (Allen Socket) .....	N/A	
12	Locking Latch Cable .....	FJ7595-1 EH-4 for SPO40 .....	FJ7600
13	Latch Cable Clamp .....	N63-1	
14	Latch Sheave Cover .....	N64	

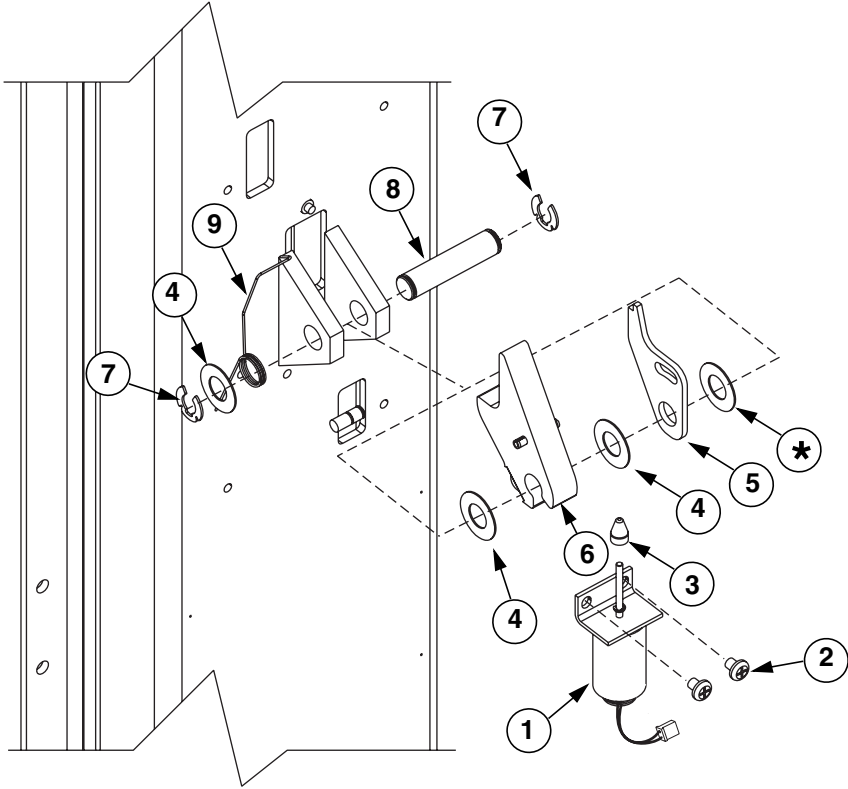
**E AND i SERIES PARTS LIST**



**CYLINDER ADAPTER/HOSE DETAIL PARTS LIST**

Item	Description	Part No.
1	Straight Adapter.....	FJ7352-3

**SOLENOID / LOCKING LATCH ASSEMBLY**



**LOCKING LATCH DETAIL PARTS LIST**

Item	Description	Part No.
1	Solenoid.....	FA7484-6
2	5/16" - 3/8" PHMS.....	40227
3	Slider .....	N613-1
4	1-1/2" O.D. x 3/4" I.D. x .045 Mach. Bush.....	41388
5	Latch Control Plate .....	N613-3
6	Locking Latch .....	N616
7	Truarc Klipring #5304-75 (for 3/4" Shaft) .....	41411
8	Latch Shaft .....	FJ7382-34
9	Latch Spring .....	N613-2

## E SERIES PARTS LIST

1 L.H. Column .....	N752	41 Limit Switch .....	N411-1
2 R.H. Column.....	N752	42 3/8" -16NC Flanged Locknut.....	40664
3 R.H. Column Extension		43 Sheave Shaft .....	FJ7444-8
Standard Height .....	N470	44 Slider Block Shim.....	N115
EH-1 MODEL .....	N471	45 Male Extension With O-Ring.....	N332
EH-2 MODEL.....	N472	46 Hose Clip .....	N383
EH-4 MODEL (SPO40 Only) .....	N474	47 1/4" -20NC x 2-3/4" Hex Head Bolt.....	40114
L.H. Column Extension		48 1/4" Type A Flat Washer .....	40780
Standard Height .....	N485	49 Female Swivel Tee .....	N331
EH-1 MODEL .....	N486	50 Switch Bar Assembly	
EH-2 MODEL.....	N487	(SPOA30).....	N415
EH-4 MODEL (SPO40 Only) .....	N489	(SPOA40/SPO40).....	N467
4 Carriage Yoke.....	N822	51 3/8" -16NC x 1/2" Flanged HHCS .....	40122
5 Arm Pin .....	N2154	52 1/4" -20NC x 3/4" HHCS Grade 5 .....	40104
6 1/4" -20NC Locknut.....	41423	53 1/4" External Tooth Lock Washer .....	40779
7 71" Hydraulic Cylinder .....	N382	54 1/4" -20NC Hex Nut.....	40627
*8 Power Unit		55 Limit Switch Assembly.....	N412
1Ø SPO40 (E model) .....	*P1486	56 3/8" External Tooth Lock washer.....	40845
3Ø SPOA30 (E model).....	*P1487	57 Spring Pin-1/4" dia. x 1-1/2" Lg. (Stainless).....	14427
3Ø SPOA40/SPO40 (E model) .....	*P1493	58 Hose Grommet.....	FA7180-32
3Ø SPOA30 (S model) .....	*P1488	59 Screws for Control Panels And Tool Holders	
3Ø SPOA40/SPO40 (S model) .....	*P1489	5/16" - 3/8" PHMS .....	10 REQ'D
9 Power Unit Hose .....	N368	60 Wire Grommet .....	FA7180-31
10 5/16" -18NC x 1-1/2" HHCS (Full Thread) .....	40271	61 Mounting Bracket.....	N439
11 Vibration Pad .....	P1164-3	62 Motor Harness .....	FA7611
12 5/16" -18NC Hex Nut.....	40670	63 3/8" -16NC x 3/4" Carriage Bolts .....	N/A
13 Actuator Pin Handle .....	FJ7985-1	64 Motor Cable	
14 Actuator Pin .....	N121-1	1Ø .....	FA7940
15 Retaining Pin.....	N119-3	3Ø .....	FA7952
16 Arm Restraint Spring.....	FJ7656-2	65 13" Bumper .....	FA950
17 Bleeder Screw (Specify Manufacturer) .....	N/A	66 Power Harness Extensions	
18 Carriage Bumper.....	FA941	2' .....	FA7809
19 Arm Restraint Pawl.....	N2121	4' .....	FA7810
20 Approach Bumper .....	FJ927-1	67 Master Control Assembly.....	FA7420
21 5/8" -11NC Hex Lock Nut.....	40743	68 Slave Control Panel .....	FA7301
22 Truarc #5304-75 Klipring for 3/4" Shaft.....	41411	69 Air Tool Holder.....	FA7520
23 Sheave .....	N377	70 L.H. Overhead (Outer).....	N480-1
24 Shim Kit.....	FA5112	71 R.H. Overhead (Inner).....	N481-1
25 Sheave Cover .....	N119-1	72 Power Harness.....	FA7947
26 1/4" -20NC x 3/8" Lg. PHMS Plated (2 pcs.).....	40063	73 Slave Control Cable Extension	
27 Slider Block.....	FJ7360	2' .....	FA7805
28 20mm Concrete Anchor .....	W140210	4' .....	FA7806
29 1-1/2" O.D. x .760-.770" I.D. x .045" Bushing.....	41388	74 Slave Harness .....	FA7703
30 Wiring Chase .....	FA928		
31 #8-32 Type B x 5/8" Lg. PHTS. ....	41457		
32 Web Cover.....	FA948		
33 Spacer .....	FJ7871		
34 Spotting Wheel Dish Kit.....	FF729		
35 N/A .....	N/A		
36 3/8" -16 NC x 3/4" Long Flanged HHCS .....	40124		
37 Overhead Hose.....			
Standard .....	N369		
EH-1/EH-2 MODEL.....	N371		
EH-4 MODEL (SPO40 Only) .....	N370		
38 Equalizer Cables.....			
SPOA30 .....	N384		
SPOA30 EH-1 MODEL .....	N385		
SPOA30 EH-2 MODEL .....	N386		
SPOA40 .....	N372		
SPOA40 EH-1 MODEL .....	N378		
SPOA40 EH-2 MODEL .....	N373		
SPO40.....	N374		
SPO40 EH-1 MODEL .....	N379		
SPO40 EH-2 MODEL .....	N375		
SPO40 EH-4 MODEL .....	N376		
39 Horse Shoe Shim .....	FJ716-6		
40 Front Shim .....	FJ659-3		

### \*Notes: E or S Model?

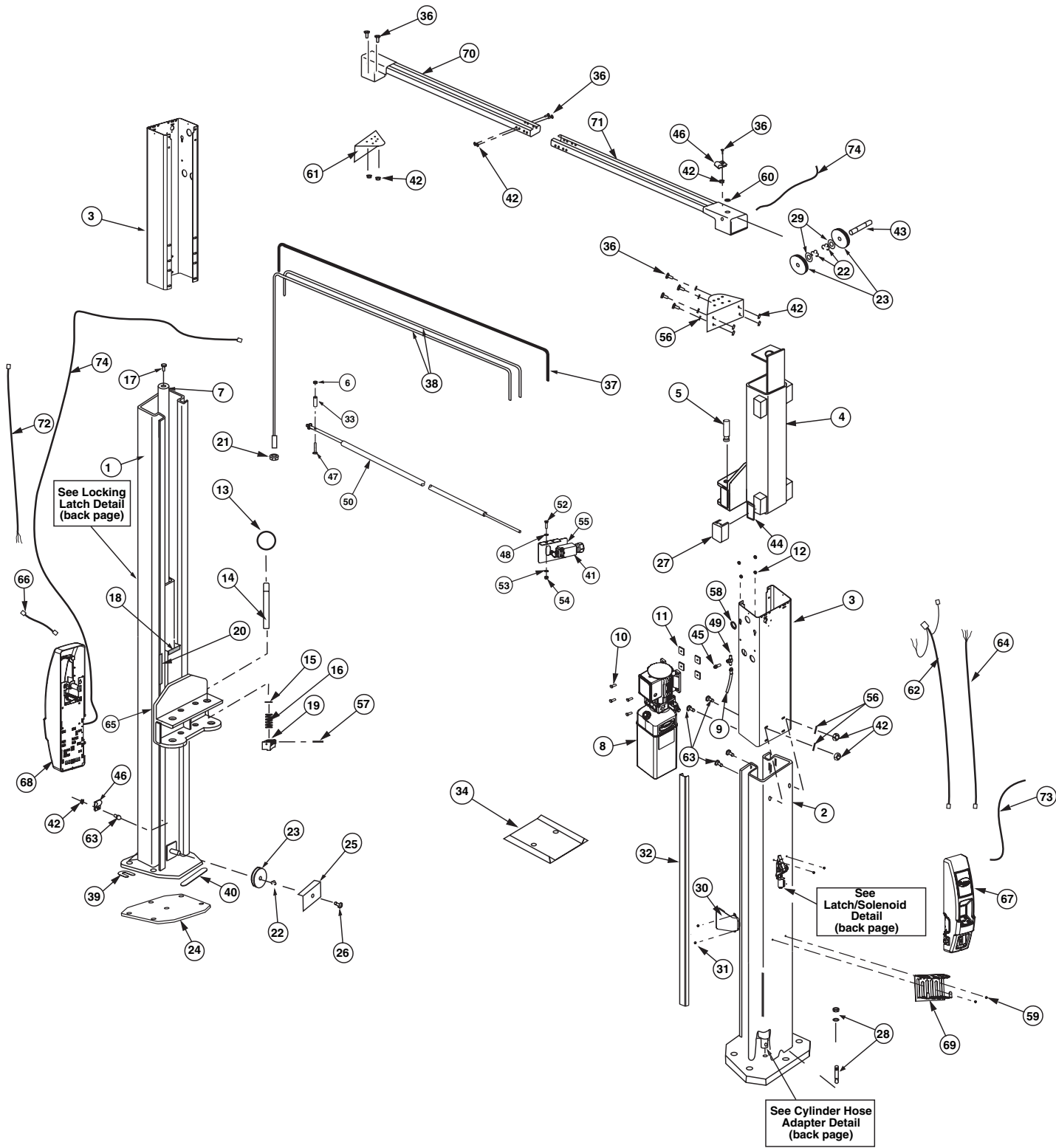
To find out if you have a E or S model Power Unit look at the 4th letter from the end of your lift model number.

EXAMPLE: SPOA30**I**E585 would be a E Model.

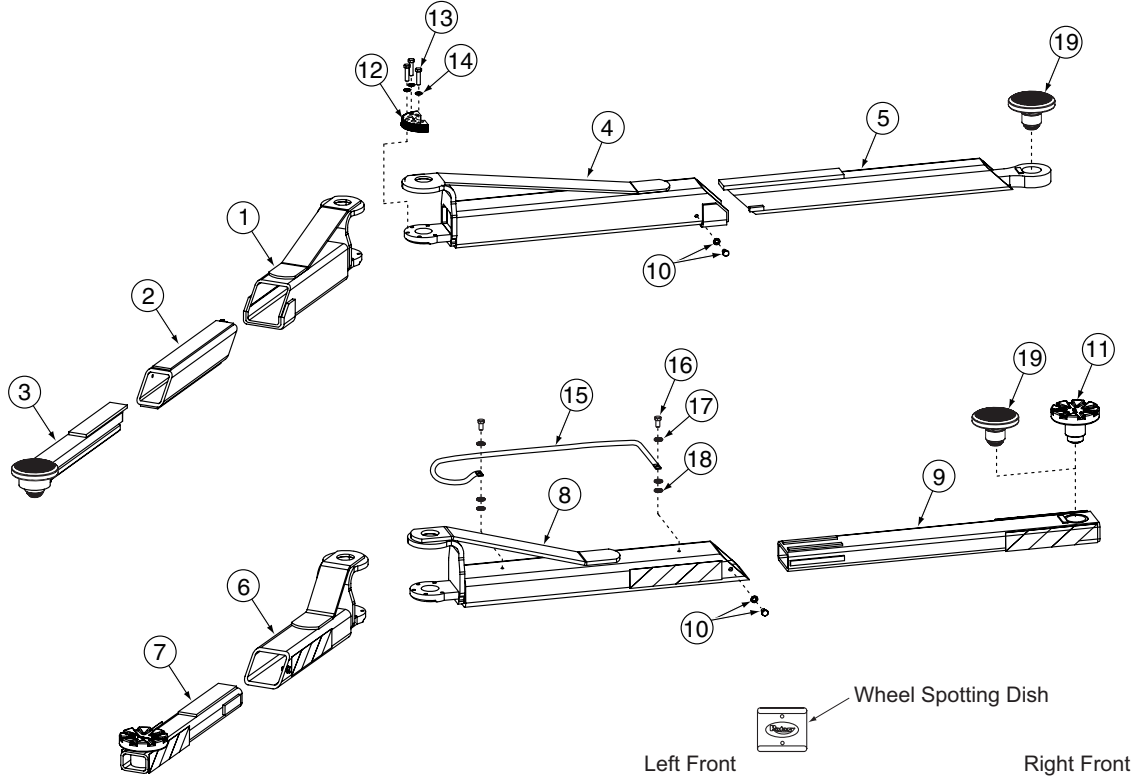


Model number can be found on a tag on the side of the lift.

# E SERIES PARTS LIST



# SPOA30/SPOA40/SPO40 ARM DETAIL



## ARM DETAIL PARTS LIST

1	Front Outer 3-Stage Arm SPOA30/SPOA40 (5GX Series) .....	N2224-1
2	Front Middle 3-Stage Arm SPOA30/SPOA40 (5GX Series) .....	N2220-10
3	Front Inner 3-Stage Arm SPOA30/SPOA40 (5GX Series) .....	N2220-6
4	Rear Outer Arm SPOA30/SPOA40 (5GX Series) .....	N2225-1
5	Rear Inner Arm SPOA30/SPOA40 (5GX Series) .....	N2225-4
6	Front Outer Arm SPOA30 .....	N2190-1
	SPOA40 .....	N2192-1
	SPO40 .....	N2194-1
7	Front Inner Arm SPOA30 .....	N284-1
	SPOA40 .....	N286-1
	SPO40 .....	N288-1
8	Rear Outer Arm SPOA30 .....	N2191-1
	SPOA40 .....	N2193-1
	SPO40 .....	N2194-1
9	Rear Inner Arm SPOA30 .....	N285-1
	SPOA40 .....	N287-1
	SPO40 .....	N288-1

10	Stop Bolt Assembly 3/8" Internal Tooth Washer .....	40843
	3/8"-16NC x 5/8" Lg. HHCS Gr. 8, Plated .....	40155
11	Adapter Assembly .....	FJ6166
	Low Profile Adapter Assembly .....	FJ6191
12	Restraint Gear .....	N2122
13	3/8"-16NC x 1-1/2" HHCS Gr. 5, Plated .....	40200
14	3/8" Medium Spring Lock Washer .....	40818
15	Arm Guard SPOA30 (Rear) .....	N244-4
	SPOA40 (Rear) .....	N246-4
	SPO40 (Left Front/Right Rear/Left Rear) .....	N244-4
	SPO40 (Right Front) .....	N247-4
16	5/16"-18NC x 3/4" Lg. HHCS .....	40252
17	5/16" Medium Spring Lock Washer .....	40850
	185/16" Flat Washer SAE Standard, Plated .....	40856
19	Low Profile 3-Stage Adapter .....	FJ6202

**Rotary World Headquarters**  
2700 Lanier Drive  
Madison, IN 47250, USA  
www.rotarylif.com

### North America Contact Information

Tech. Support: p 800.445.5438  
f 800.578.5438  
e userlink@rotarylif.com  
Sales: p 800.640.5438  
f 800.578.5438  
e userlink@rotarylif.com

### World Wide Contact Information

World Headquarters/USA: 1.812.273.1622  
Canada: 1.905.812.9920  
European Headquarters/Germany: +49.771.9233.0  
United Kingdom: +44.178.747.7711  
Australasia: +60.3.7660.0285  
Latin America / Caribbean: +54.3488.431.608  
Middle East / Northern Africa: +49.771.9233.0



A DOVER COMPANY



© Rotary®, Printed in U.S.A., All Rights Reserved. Unless otherwise indicated, ROTARY, DOVER and all other trademarks are property of Dover Corporation and its affiliates.